






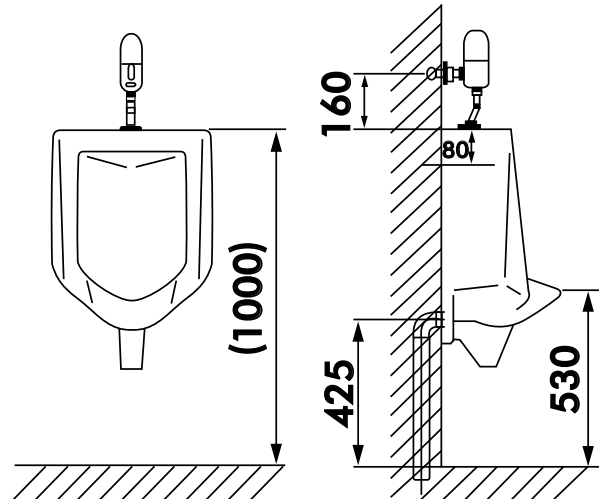
## Auto Urinal Flusher (Exposed Series) HC-AUF619



-  Touch-Free IR Activation
-  Stylish SS Plated Design
-  Intelligent Sensing
-  Low Maintenance
-  Water Saving

### DESCRIPTION

Operation	Infrared Sensor (Pre & Post Flush)
Power Supply	Battery: 6V DC (4 x AAA Alkaline) Electrical: 220V AC, 50 Hz
Silent Consumption	<0.5W (DC)      <0.6W (AC)
Battery Life (DC)	2 years (avg. 300 uses per day)
Detection Zone	40 cm (adjustable)
Dia. Of Inlet/Outlet Pipe	PF1/2"
Water Pressure	0.05 MPa – 0.6 MPa
Flow Rate	0.16 L/min – 0.3 L/min
Finish	Chrome Plated



*Automate to Protect*



**Toshi Automatic Systems Pvt. Ltd.**

facebook

LinkedIn

YouTube

WhatsApp

D-132-133/2, Bulandshahr Industrial Area, Ghaziabad - 201009, U.P., India

+91-9711-186-186

info@toshiautomatic.com

www.toshiautomatic.com