






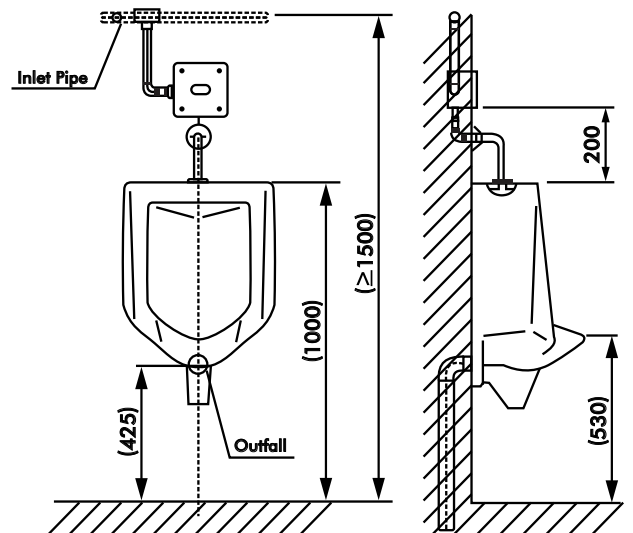
Auto Urinal Flusher (Recessed Series) HC-AUF319



-  Touch-Free IR Activation
-  SS Construction
-  Intelligent Sensing
-  Low Maintenance
-  Water Saving

DESCRIPTION

Operation	Infrared Sensor (Post Flush)
Power Supply	220V AC, 50Hz
Silent Consumption	<0.6W (AC)
Detection Zone	50 cm
Dia. Of Inlet/Outlet Pipe	(DN15)G1/2"
Water Pressure	0.05 MPa – 0.6 MPa
Flow Rate	0.16 L/min – 0.3 L/min
Finish	Stainless Steel



Automate to Protect



Toshi Automatic Systems Pvt. Ltd.

facebook

LinkedIn

YouTube

WhatsApp

D-132-133/2, Bulandshahr Industrial Area, Ghaziabad - 201009, U.P., India

+91-9711-186-186

info@toshiautomatic.com

www.toshiautomatic.com